

# Handy Manual Pulse Generator



# HT Series



## Outline

HT series are easy-to-handle and compact Handy MPGs which put a premium on safety with 3-position enabling switches and emergency stop buttons.

## Features

- Ergonomically designed and compact to be held with one hand
- 3-position (off-on-off) enabling switch available on either side
- Upper part is free to design and allows various kinds of switches (including emergency stop button) to be set
- RoHS compliant
- On the middle part: either MR8A - the rotary switch series or MR8C - the digital code switch series selectable
- Strong plate magnets available on back side (as option)
- Various types of curl cords provided along with connectors of all sorts at your request

## Specifications

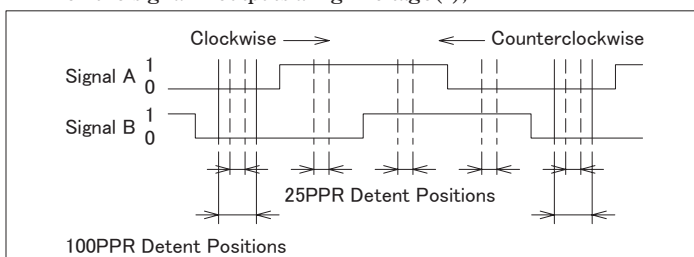
1. Body	
Dimension	170×80×39(mm)
LED light	DC24V Green
Enabling switches	Available on both sides
Logo	Logo available on the wheel cover

2. Mechanical specifications	
2.1 Rotary Encoder Unit	

Output Voltage	DC5V±10%, DC12V±10% or 12~24V
Wheel	100 clicks / rotation 100 pulses or 25 pulses per rotation
Rotational Durability	Over 1,000,000 times

### Output Waveform

- 1) Turning the shaft clockwise would generate the signal A when the signal B outputs a low voltage (0);
- 2) Rotating the shaft counter-clockwise would generate the signal A when the signal B outputs a high voltage (1);



\* See RE45B catalog for more details

2.2 Selector Switches
-----------------------

MR8A (rotary switch) 25V15mA (AC/DC)  
MR8C (code switch) 15V10mA (AC/DC)  
\* See MR8A/MR8C catalog for more details

3. Curl/Straight Cords	
------------------------	--

Curl Cord	19/25-conductor shielded cable 19-conductor: select from 2m, 3m, 4m, 5m 25-conductor: select from 3m, 5m (We will select either 19 or 25-conductor in accordance with required functions) For further details, please see the catalogues for curl cords
Straight Cord	Also available

5. Connector Unit	
-------------------	--

Connector	Dripproofed connector to be attached on the end of the cord optionally provided (EBSP2119-D/EBSP2119FGS-D by DDK)
-----------	---

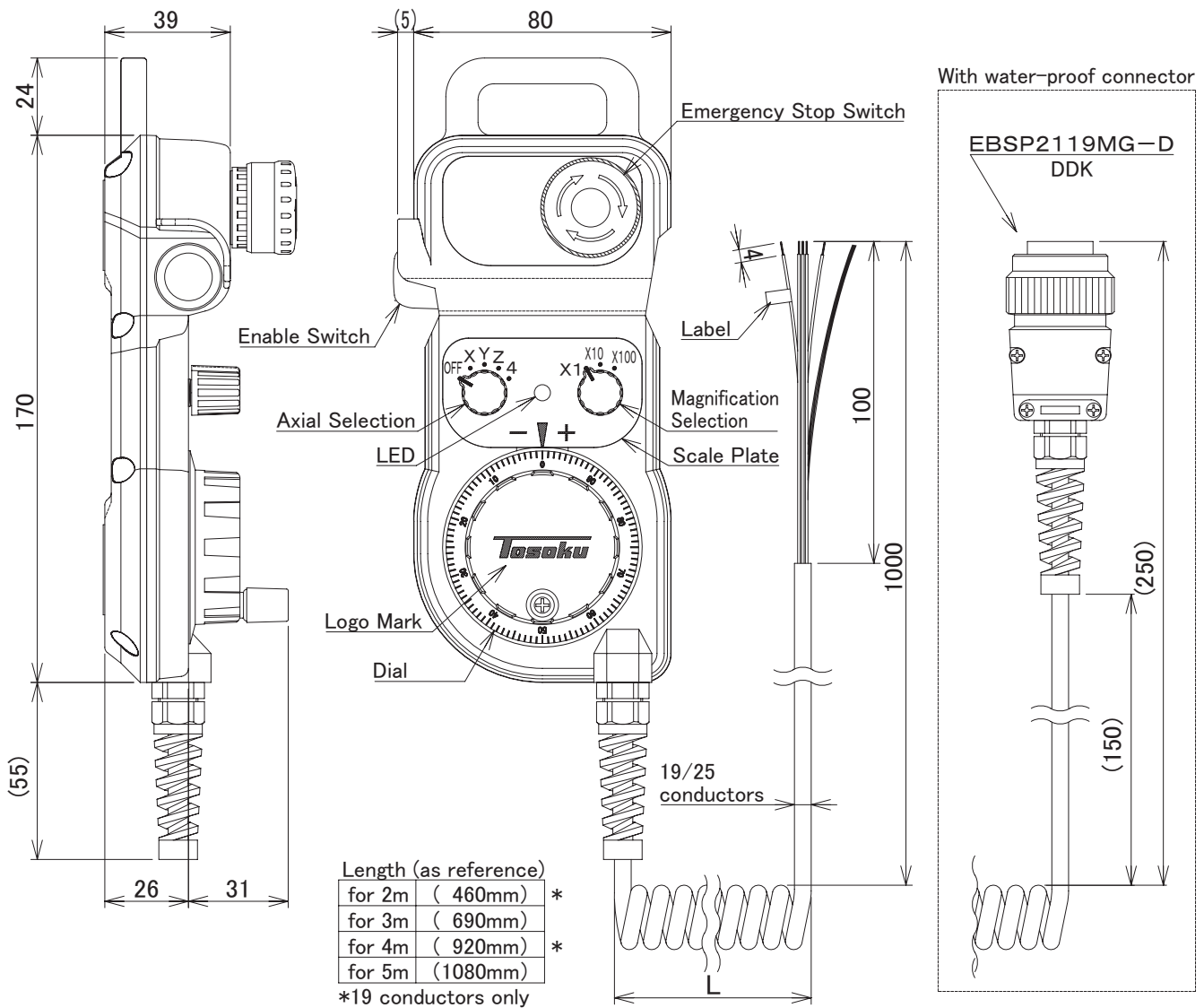
## Warranty

- 1 year from the date of shipment.

# Dimensions (mm)

HT Unit with curl cord

※ This drawing is an example, it may differ according to number of swithes etc.



Original Holder

Material : SPCC

Cathodic Electrodeposition Coating

